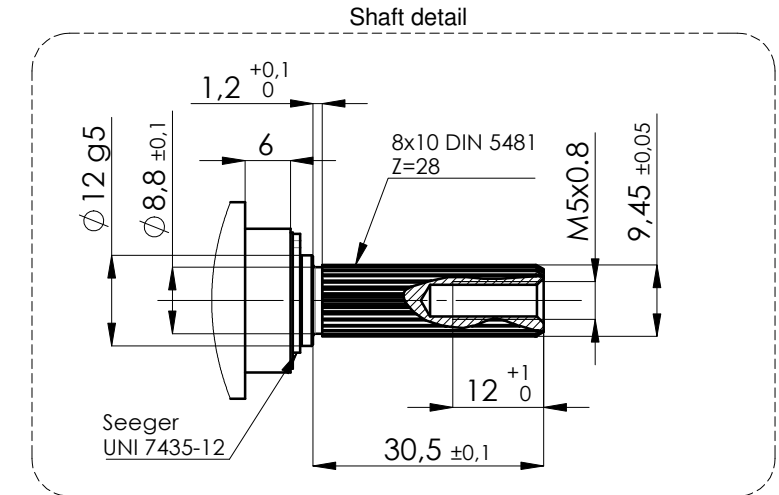
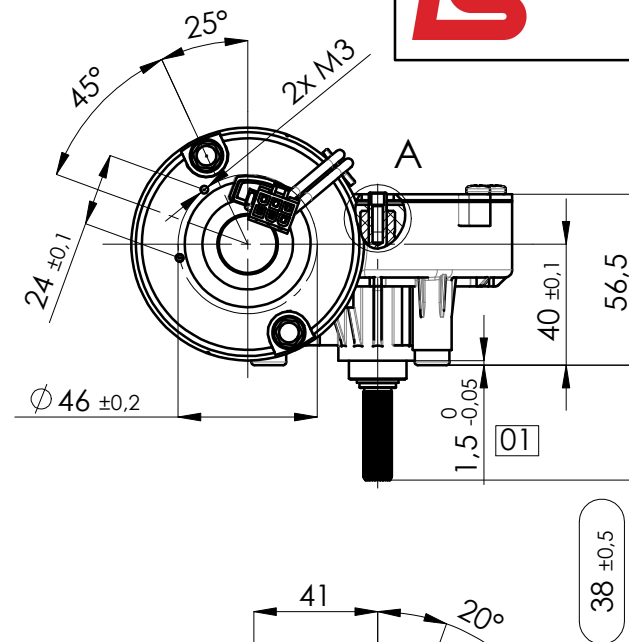
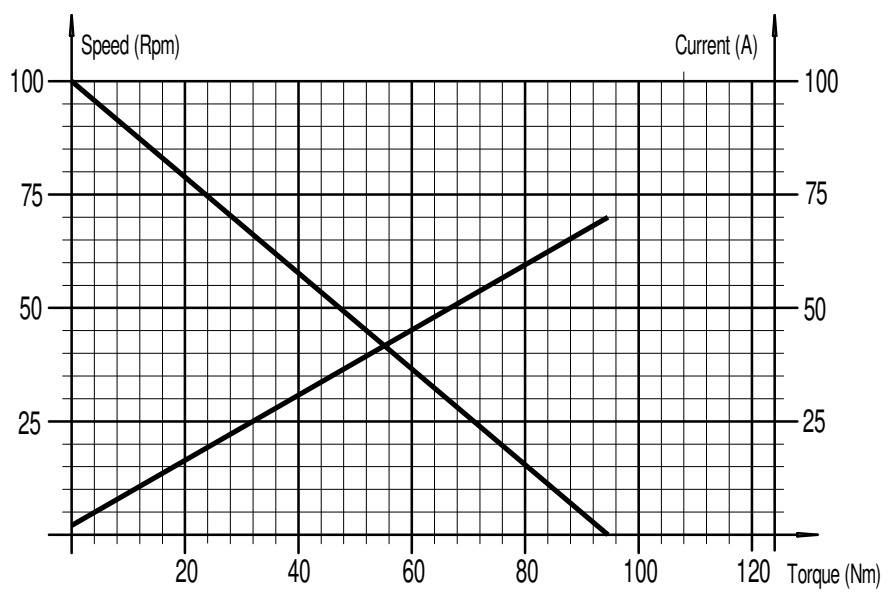
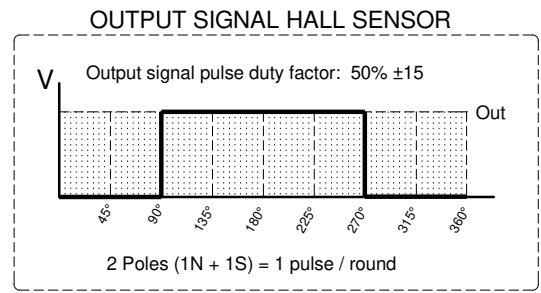
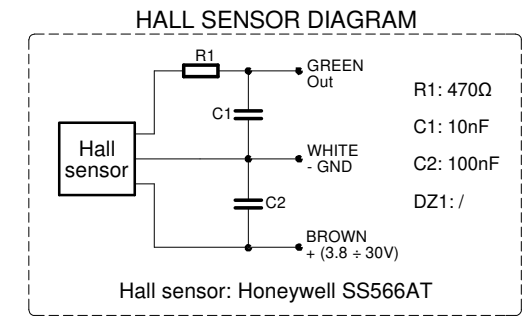
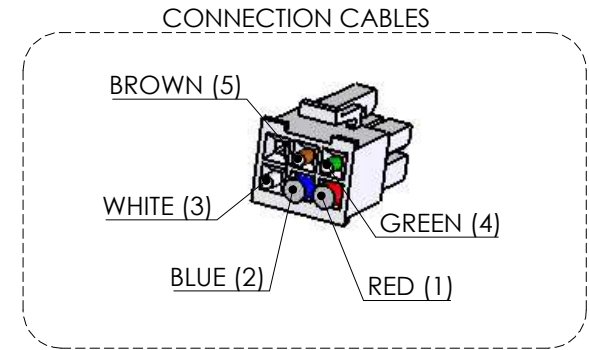
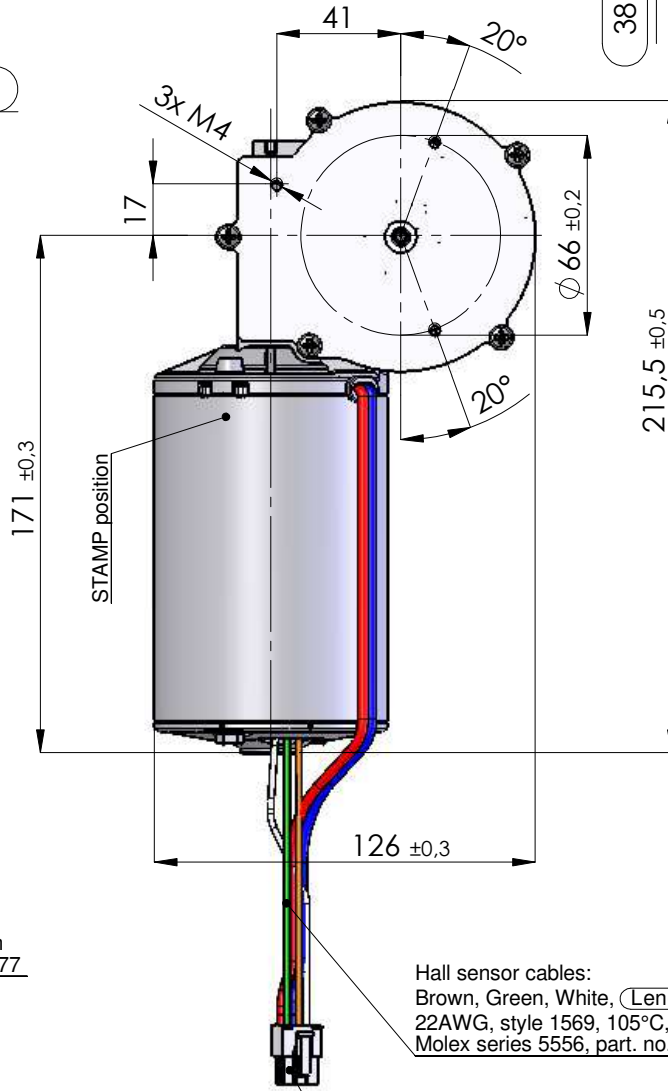
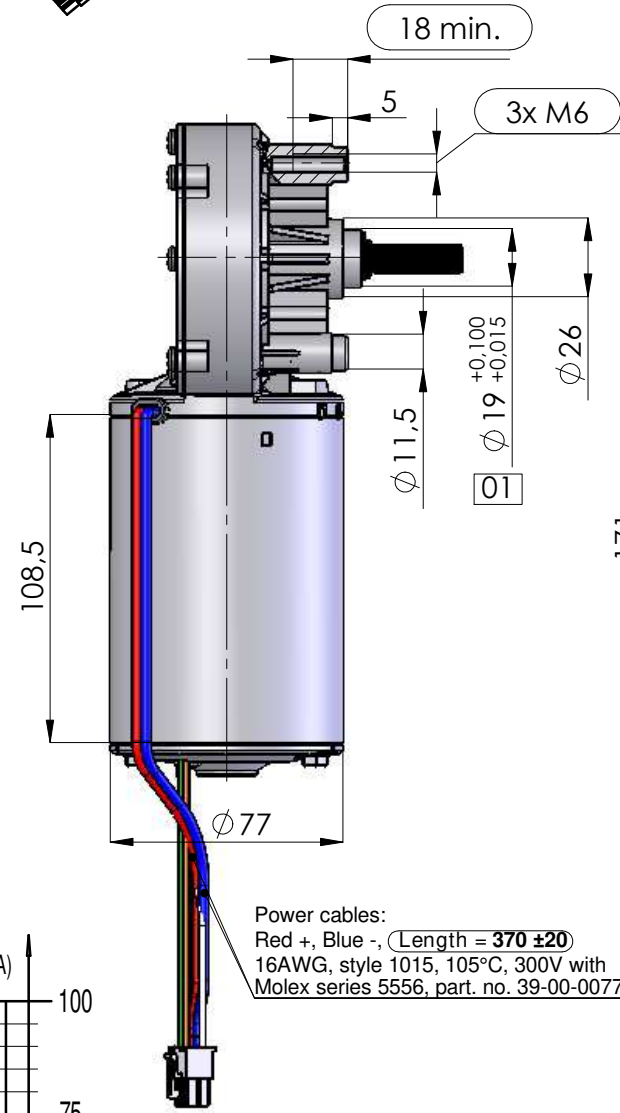
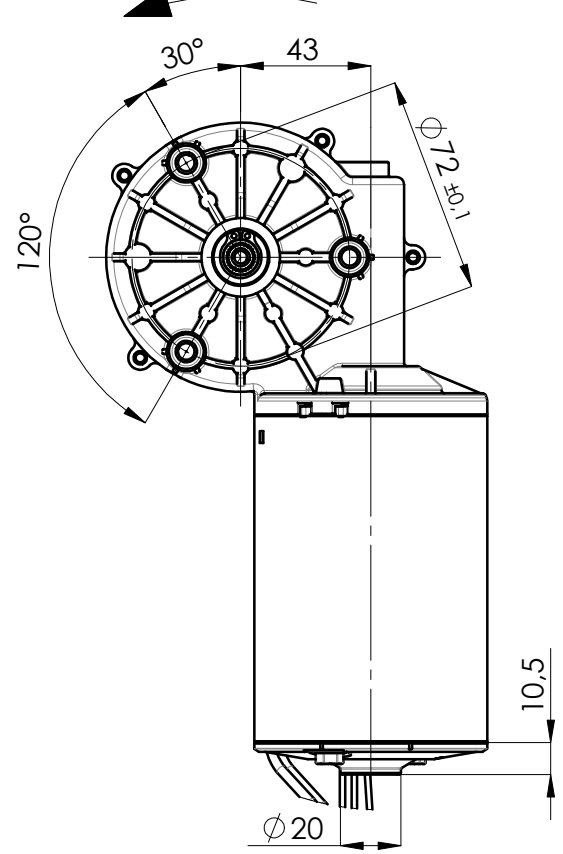


Detail A
Scale 1 : 1



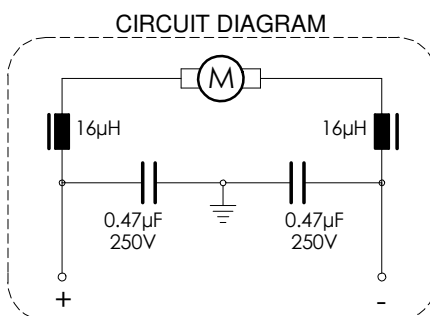
COUNTER
CLOCKWISE
with positive tension
on Red cable



Power cables:
Red +, Blue -, (Length = 370 ±20)
16AWG, style 1015, 105°C, 300V with
Molex series 5556, part. no. 39-00-0077

Hall sensor cables:
Brown, Green, White, (Length = 380 ±20)
22AWG, style 1569, 105°C, 300V with
Molex series 5556, part. no. 39-00-0038

Molex series 5557,
part. no. 39-01-2060



STAMP
SEEFRID week xxyy
Code 637.031 24VDC 100RPM
xx: year production
yy: week production

26/06/2020	01	Added gearbox modifications on customer request		
R.d.M.	DATE	INDEX	MODIFICATION DESCRIPTION	
NOMINAL TENSION (V)		NO LOAD CURRENT (A)		SPEED (Rpm)
24		1.8 max.		100
NOMINAL TORQUE (Nm)		STARTING TORQUE (Nm)		NOMINAL POWER (W)
		95		
These are average values when the motor is cold. Divergences of ±10% are possible in the series				
PROJ. : 0355	DATE : 26/06/2020	DRAWER :	CHECK :	SIGN :

GENERAL TOLERANCES : ISO 22768-mk
PROTECTION CLASS :
WEIGHT : approx. 2.3 Kg
SCALE : 1:2